



# Ultra Delonization Skid (UDI Skid) : LO Type

Very Compact and High Efficient Subsystem for Ultra-Pure Water Production

## Introduction

The recent development in water treatment processes has succeeded in meeting ultrapure water standard requirements on quantity and quality of precise rinsing water provided for the manufacturing of electronic parts, precision glass, etc. It is difficult to handle the subject of water treatment as if it were a single process because the design of each treatment system must depend on the conditions involved that are feed water quality, treated water quality, desired quantity, use point and cost. Therefore, a compact package unit for subsystem called UDI skid is designed with excellent combination of equipments to be convenient on operation and maintenance and is ensured that the standard requirements of ultra-pure water quality are maintained.

## Features

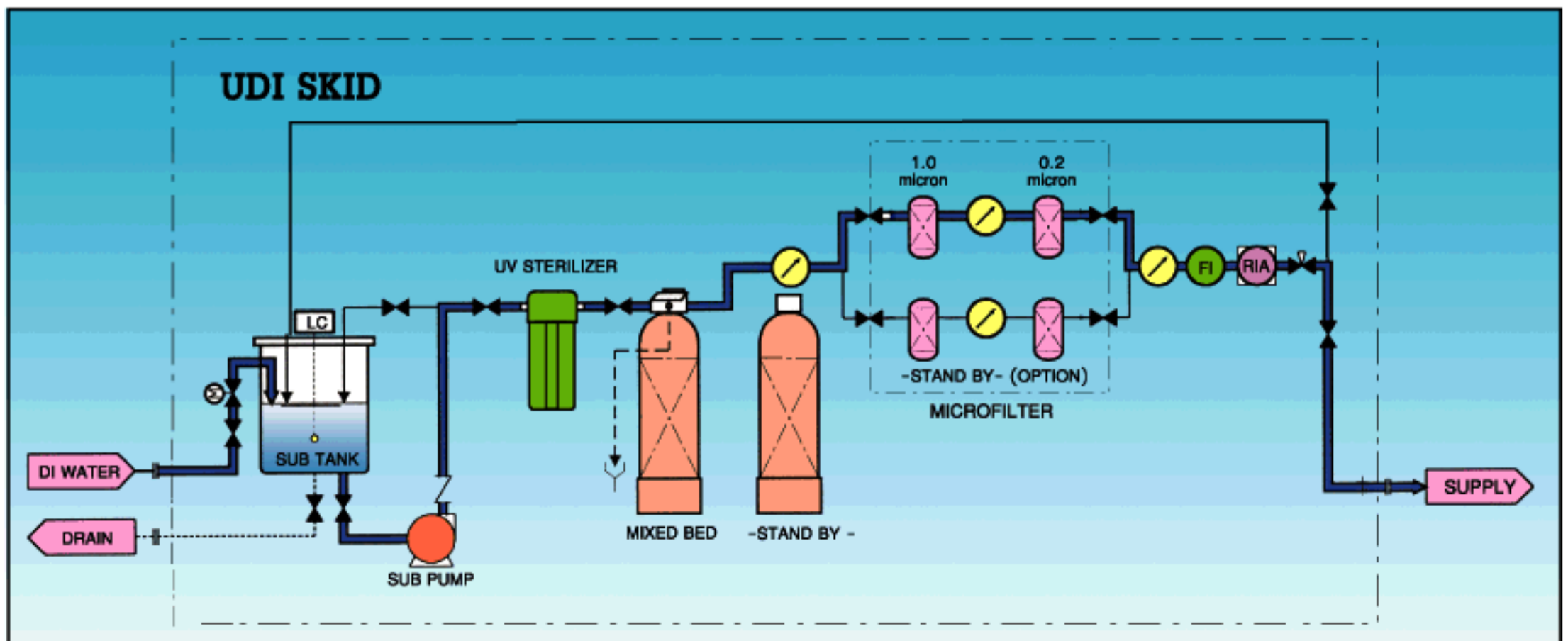
- Excellent design for specific requirement ensures that the water quality is above 10 MΩ·cm for a variety of applications
- Small space for installation with a compact package unit
- Easy to operate with on-line devices
- Safety operation with safety devices and high performance of control panel
- Less maintenance required



## Applications

1. Electric Power and Steam Plants
2. Manufacture of Electronic parts
3. Manufacture of Television Picture Tubes
4. Manufacture of Precision Glass
5. Pharmaceutical Plants
6. Cosmetics Plants
7. Research-Laboratory
8. Others

## Flow Diagram



# Constituent Equipment of UDI Skid

Sub Tank	To circulate continuously between the return water from use point and treated water from UDI skid to stably maintain the ultra-pure water quality.
UV Sterilizer	To sterilize the microorganism, which causes the slime occurrence during the production process of ultra-pure water.
Polisher	To produce the water quality above 10 MΩ·cm by polisher packed with excellent grade mixed-bed resin. Polisher column can be exchanged with stand by column.
Cartridge MF Membrane	To remove the dead cell of microorganism and precise particles.
Resistivity Meter	To measure the resistivity of produced ultra-pure water with high sensitivity and accuracy.

## Specification List of UDI Skid (LO Type)

Specification	LO-200	LO-500	LO-1000	LO-2000
Capacity (m <sup>3</sup> /Hr)	0.2	0.5	1.0	2.0
Treated Water Quality * Resistivity * Particle (> 0.5 μ)	≥ 10 MΩ·cm ≤ 100 pcs/ml			
Sub Tank	0.06 m <sup>3</sup> , FRP made	0.1 m <sup>3</sup> , FRP made	0.1 m <sup>3</sup> , FRP made	0.2 m <sup>3</sup> , FRP made
Sub Pump	SUS 304 0.2 m <sup>3</sup> /Hr x 35 m <sup>H</sup> x 0.37 kW	SUS 304 0.5 m <sup>3</sup> /Hr x 35 m <sup>H</sup> x 0.37 kW	SUS 304 1.0 m <sup>3</sup> /Hr x 35 m <sup>H</sup> x 0.37 kW	SUS 304 2.0 m <sup>3</sup> /Hr x 35 m <sup>H</sup> x 0.37 kW
UV Sterilizer Unit	220 V x 14 W	220 V x 20 W	220 V x 20 W	220 V x 40 W
Cartridge Polisher with Mixed-Bed Resin	25 L x 2 Sets	25 L x 2 Sets	25 L x 2 Sets	50 L x 2 Sets
MF Unit	1.0 μ 1 unit + 0.2 μ 1 unit	1.0 μ 1 unit + 0.2 μ 1 unit	1.0 μ 1 unit + 0.2 μ 1 unit	1.0 μ 1 unit + 0.2 μ 1 unit
Skid Dimension (W x D x H)	950 x 950 x 1800	1200 x 950 x 1800	1200 x 950 x 1800	1200 x 950 x 1800
Product Weight (Kg)	360	410	420	490
Operating Weight (Kg)	430	495	550	700

\* The DI water from the primary pure water system supplied to UDI skid should have the resistivity not less than 1 MΩ·cm.

\* Wide range of product besides above items are available.

\* All designs and specifications will be subject to change with or without prior notice.